

NEW LETTER

Share Information, Share Cooperation



Let Us Be Together

Global Fight Against COVID-19

As we all know, since the outbreak of the COVID-19, many lives have been disappeared, families broken, and until now this tragedy is continue... We can still hear some voices ask for help, some voices blaming, some of violence , lots of arguing...but also, we can hear calm, cooperation, peace, and love...

As a normal part of the society, ADV team tried our best to offer help and supporting to our overseas customers, as China is the first country reported this virus, and suffered lock down and quarantining measurement, we shared the 1st hand information to our customers and offer free masks by express delivery.

Here we would like to call you to join us in the team of help and love, let's fight together for the COVID-19, for the day we have been waiting for, the day we have been praying for, the day when all of this can be changed, and our children will play under the same sun ...For this beautiful planet, for the better future.



Wuhan completes mass COVID-19 screening
Wuhan has completed its campaign to conduct nucleic acid tests on all residents, with nearly 10 million residents tested for COVID-19



Business
China's foreign trade of goods inched down 0.7 percent year-on-year in April to 2.5 trillion yuan (about \$352.6 billion), narrowing from a drop of 6.4 percent in the first quarter, with exports rising 8.2 percent from the same period last year



Finance
China's banking and insurance sectors will forgo part of their profits this year to stabilize the real economy by lowering lending rates, comprehensive financing costs and insurance

Overseas Exhibitions Suspended In 2020

Due to the COVID-19 infection, we have suspended all our overseas exhibitions. but we will continue to share information by



Welcome to talk with us anytime



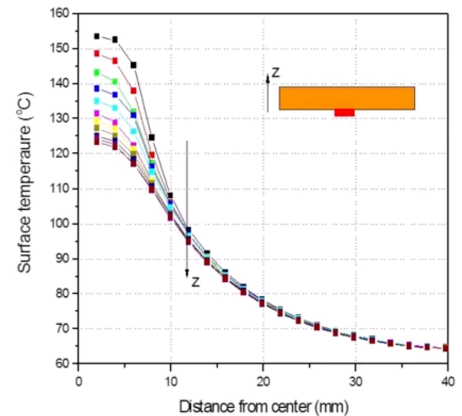
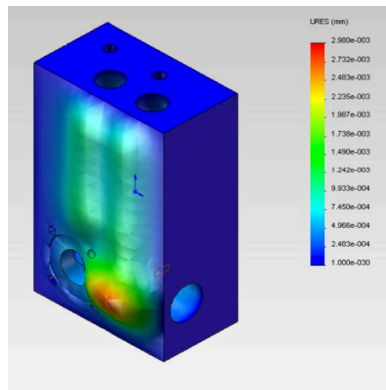
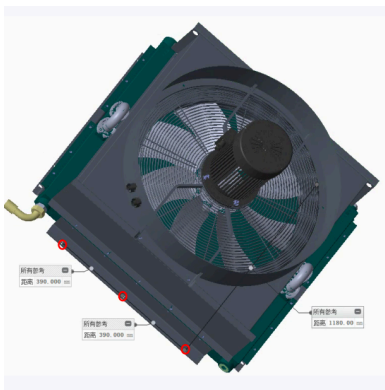
New Products Application For Medical Lab Test MAGLUMI®X8 against COVID-19

Mark 标注	Reason for Change 变更原因	Revised By 变更人	Rev Date 日期
0.9	ADV	ADV Heat Exchange 常州爱迪康换热器有限公司	
NB/T47006-2009	ADV P/N 产品编号	D88-018V	Rev A

We are so proud can make contribute to the anti-virus fight

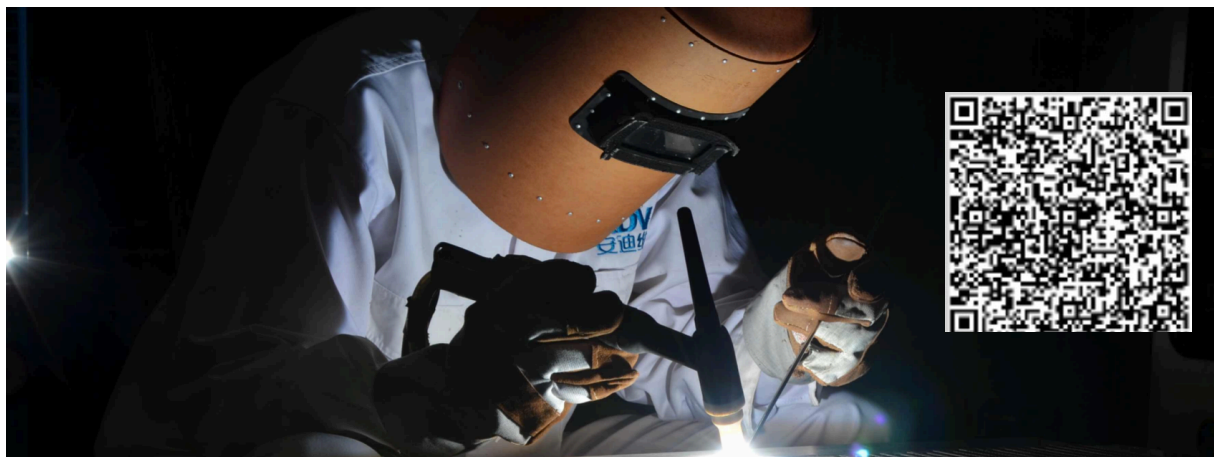
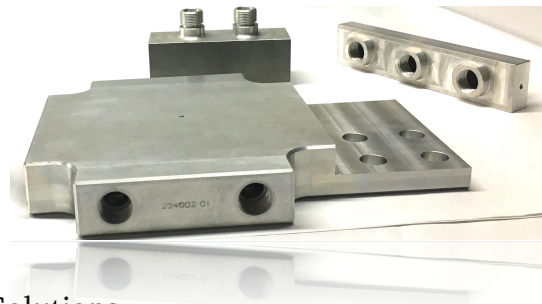
Research & Development

- Thermal Modeling system
- Analytical Tools
- Solid modeling
- Failure Mode and Effects Analysis (FMEA)Product



Products Feature:

- Heavy Duty Working Condition
- Various Cooling Requirement
- Low Air Pressure Drop
- High Cooling Capability
- Safety! Safety! Safety! For Electrical Cooling Solutions



- ✓ Induction welding
- ✓ Laser beam welding
- ✓ FSW- Friction Stir Welding
- ✓ Arc Welding
- ✓ Vacuum Brazing
- ✓ Percussion welding
- ✓ Rotary frequency welding / High / Middle/ Low

**MEET ANY WELDING PROBLEMS?
TALK WITH US !**