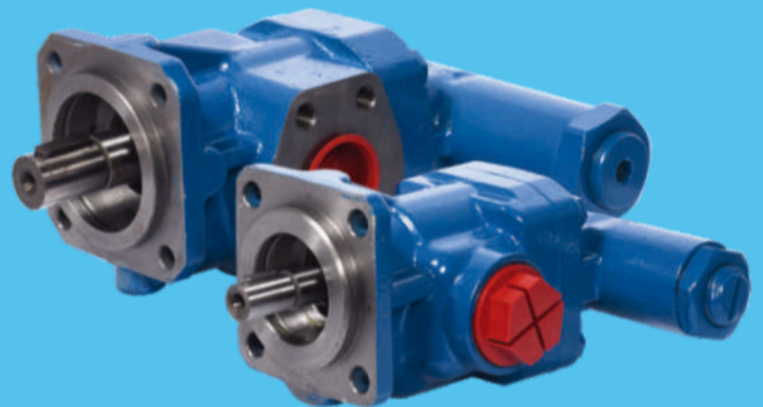




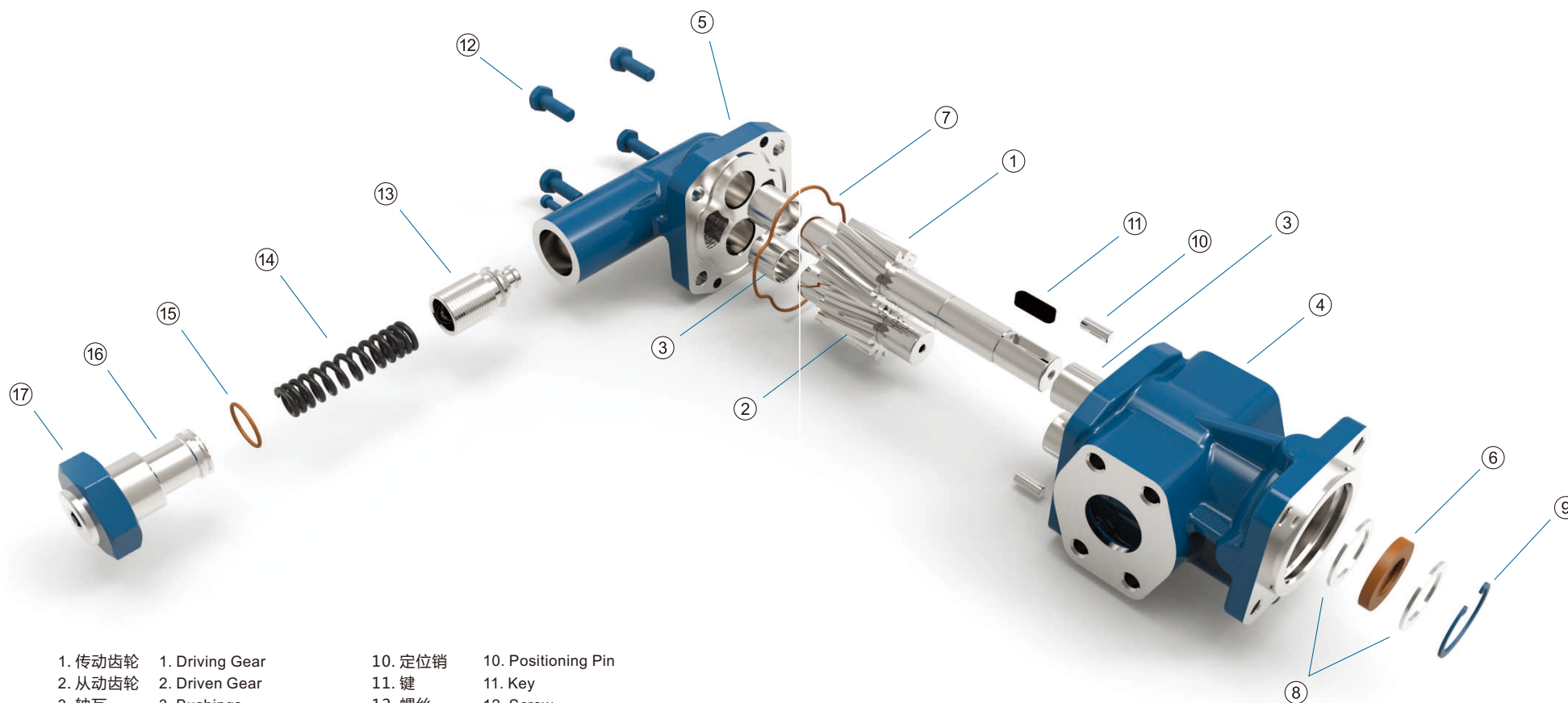
ADV

Gear-conveying pump

齿轮输送泵



Components of the pump 泵组件



- | | | | |
|---------|----------------------|----------|-----------------------|
| 1. 传动齿轮 | 1. Driving Gear | 10. 定位销 | 10. Positioning Pin |
| 2. 从动齿轮 | 2. Driven Gear | 11. 键 | 11. Key |
| 3. 轴瓦 | 3. Bushings | 12. 螺丝 | 12. Screw |
| 4. 壳体 | 4. Monoblock | 13. 安全阀芯 | 13. Relief Valve Core |
| 5. 端盖 | 5. Cover | 14. 弹簧 | 14. Spring |
| 6. 旋转轴封 | 6. Rotary Shaft Seal | 15. 密封圈 | 15. Sealing Ring |
| 7. 密封圈 | 7. Sealing Ring | 16. 调节螺杆 | 16. Adjustable Screw |
| 8. 垫圈 | 8. Gasket | 17. 螺母 | 17. Nut |
| 9. 止推环 | 9. Stop Ring | | |

» **Technical data** (rotation rate 950rpm) 输送泵技术参数 (转速 950rpm)

Pump type 泵型号	Parameter 参数	Pressure (bar) 压力								Displacement (cm ³ /rev) 排量
		2.0	4.0	6.0	8.0	10.0	15.0	20.0	25.0	
DK4	l/min	3.80	3.70	3.70	3.60	3.50	3.40	3.20	3.00	4
	NKW	0.05	0.06	0.07	0.08	0.09	0.13	0.16	0.20	
	KW	0.25	0.25	0.25	0.25	0.25	0.25	0.25	0.37	
DK6	l/min	5.80	5.70	5.60	5.50	5.40	5.10	4.90	4.70	6
	NKW	0.06	0.07	0.09	0.12	0.14	0.19	0.25	0.30	
	KW	0.25	0.25	0.25	0.25	0.25	0.37	0.37	0.55	
DK8	l/min	7.40	7.30	7.20	7.10	6.90	6.60	6.30	5.90	8
	NKW	0.08	0.09	0.12	0.14	0.17	0.24	0.32	0.38	
	KW	0.25	0.25	0.25	0.25	0.25	0.37	0.55	0.55	
DK10	l/min	9.20	9.00	8.90	8.70	8.60	8.20	7.70	7.30	10
	NKW	0.09	0.10	0.14	0.17	0.21	0.29	0.38	0.47	
	KW	0.25	0.25	0.25	0.25	0.37	0.37	0.55	0.75	
DK12	l/min	11.40	11.30	11.10	10.90	10.70	10.20	9.70	9.40	12
	NKW	0.10	0.12	0.16	0.21	0.25	0.36	0.47	0.58	
	KW	0.25	0.25	0.25	0.37	0.37	0.55	0.75	0.75	
DK16	l/min	14.70	14.60	14.30	14.00	13.80	13.30	12.60	11.90	16
	NKW	0.12	0.15	0.20	0.26	0.31	0.45	0.60	0.74	
	KW	0.25	0.25	0.37	0.37	0.55	0.55	0.75	1.10	
DK20	l/min	18.50	18.30	18.00	17.60	17.30	16.50	15.80	14.90	20
	NKW	0.14	0.18	0.25	0.32	0.39	0.56	0.74	0.92	
	KW	0.25	0.25	0.37	0.55	0.55	0.75	1.10	1.50	
DK25	l/min	23.10	22.60	22.30	21.90	21.50	20.60	19.70	18.30	25
	NKW	0.16	0.21	0.30	0.39	0.48	0.70	0.92	1.14	
	KW	0.25	0.37	0.55	0.55	0.75	1.10	1.50	1.50	

» **Technical data** (rotation rate 950rpm) 输送泵技术参数 (转速 950rpm)

Pump type 泵型号	Parameter 参数	Pressure (bar) 压力								Displacement (cm ³ /rev) 排量
		2.0	4.0	6.0	8.0	10.0	15.0	20.0	25.0	
DK32	l/min	29.00	29.00	28.00	28.00	27.00	26.00	25.00	23.00	32
	NKW	0.27	0.30	0.40	0.50	0.60	0.90	1.20	1.50	
	KW	0.37	0.55	0.55	0.75	0.75	1.50	1.50	2.20	
DK40	l/min	37.00	36.00	36.00	35.00	34.00	33.00	31.00	29.00	40
	NKW	0.28	0.40	0.50	0.60	0.80	1.10	1.50	1.80	
	KW	0.37	0.55	0.75	1.10	1.10	1.50	2.20	2.20	
DK50	l/min	46.00	45.00	44.00	43.00	43.00	41.00	38.00	36.00	50
	NKW	0.40	0.50	0.60	0.80	1.00	1.40	1.90	2.30	
	KW	0.55	0.75	0.75	1.10	1.50	2.20	3.00	3.00	
DK63	l/min	58.00	57.00	56.00	55.00	54.00	51.00	48.00	45.00	63
	NKW	0.50	0.60	0.80	1.00	1.20	1.80	2.40	2.90	
	KW	0.75	0.75	1.10	1.50	2.20	2.20	3.00	4.00	
DK80	l/min	73.0	72.0	71.0	69.0	68.0	65.0	67.0	58.0	80
	NKW	0.60	0.70	1.00	1.30	1.60	2.30	3.00	3.70	
	KW	0.75	1.10	1.50	1.50	2.20	3.00	4.00	5.50	
DK100	l/min	93.00	92.00	89.00	88.00	87.00	83.00	80.00	77.00	100
	NKW	0.60	0.90	1.30	1.80	2.30	3.20	3.90	4.40	
	KW	0.75	1.10	1.50	2.20	3.00	4.00	5.50	5.50	
DK112	l/min	100.00	99.00	97.00	96.00	94.00	93.00	88.00	83.00	112
	NKW	0.80	1.00	1.60	2.20	2.80	3.50	4.50	5.00	
	KW	1.10	1.50	2.20	3.00	4.00	4.00	5.50	7.50	
DK125	l/min	118.00	113.00	108.00	102.00	97.00	93.00	88.00	84.00	125
	NKW	1.60	1.50	1.70	1.80	2.40	3.60	4.90	6.00	
	KW	2.20	2.20	2.20	2.20	3.00	4.00	5.50	7.50	
DK150	l/min	142.00	138.00	134.00	129.00	124.00	119.00	113.00	107.00	150
	NKW	2.10	2.20	2.30	2.50	3.10	4.40	5.80	7.20	
	KW	3.00	3.00	3.00	3.00	4.00	5.50	7.50	11.00	
DK180	l/min	171.00	167.00	163.00	157.00	151.00	145.00	140.00	133.00	180
	NKW	2.20	2.60	2.70	3.00	3.90	5.40	6.90	8.40	
	KW	3.00	4.00	4.00	4.00	5.50	7.50	11.00	11.00	
DK200	l/min	190.00	186.00	182.00	176.00	171.00	166.00	161.00	154.00	200
	NKW	2.90	3.00	3.10	3.50	4.40	6.00	7.70	9.30	
	KW	4.00	4.00	4.00	5.50	5.50	7.50	11.00	11.00	

» **Technical data** (rotation rate 1450rpm) 输送泵技术参数 (转速 1450rpm)

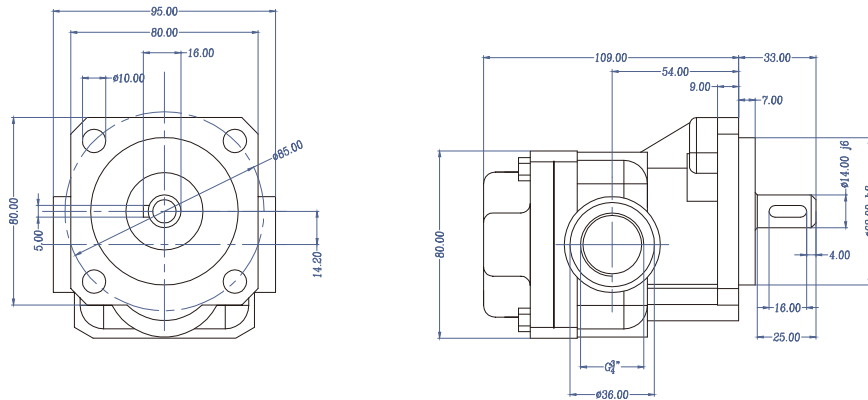
Pump type 泵型号	Parameter 参数	Pressure (bar) 压力								Displacement (cm ³ /rev) 排量
		2.0	4.0	6.0	8.0	10.0	15.0	20.0	25.0	
DK4	I/min	5.70	5.60	5.60	5.50	5.40	5.30	5.10	4.90	4
	NKW	0.10	0.13	0.16	0.18	0.21	0.29	0.30	0.35	
	KW	0.25	0.25	0.25	0.25	0.37	0.37	0.37	0.37	
DK6	I/min	9.00	8.90	8.80	8.70	8.60	8.30	8.00	7.80	6
	NKW	0.08	0.11	0.15	0.18	0.21	0.30	0.38	0.47	
	KW	0.25	0.25	0.25	0.37	0.37	0.55	0.55	0.75	
DK8	I/min	11.30	11.20	11.10	10.90	10.90	10.50	10.20	9.80	8
	NKW	0.15	0.19	0.24	0.29	0.33	0.40	0.54	0.65	
	KW	0.25	0.25	0.37	0.37	0.55	0.53	0.75	0.75	
DK10	I/min	14.20	14.10	14.00	13.80	13.60	13.20	12.80	12.40	10
	NKW	0.18	0.19	0.23	0.30	0.35	0.46	0.58	0.72	
	KW	0.25	0.25	0.25	0.37	0.55	0.55	0.75	1.10	
DK12	I/min	17.20	17.10	17.00	16.90	16.80	16.50	15.90	15.40	12
	NKW	0.20	0.21	0.28	0.32	0.39	0.55	0.72	0.89	
	KW	0.25	0.25	0.37	0.55	0.55	0.75	1.10	1.10	
DK16	I/min	22.60	22.40	22.20	22.00	21.70	21.10	20.50	19.80	16
	NKW	0.24	0.31	0.38	0.45	0.57	0.82	1.02	1.33	
	KW	0.37	0.37	0.55	0.55	0.75	1.10	1.10	1.50	
DK20	I/min	29.77	28.90	28.03	27.40	27.10	26.40	25.60	24.70	20
	NKW	0.26	0.36	0.44	0.53	0.63	0.87	1.14	1.41	
	KW	0.37	0.55	0.55	0.75	1.10	1.10	1.50	2.20	
DK25	I/min	36.50	36.20	35.70	35.20	34.60	33.20	32.40	31.00	25
	NKW	0.46	0.60	0.73	0.88	1.00	1.18	1.50	1.75	
	KW	0.55	0.75	1.10	1.10	1.50	1.50	2.20	2.20	

» **Technical data** (rotation rate 1450rpm) 输送泵技术参数 (转速 1450rpm)

Pump type 泵型号	Parameter 参数	Pressure (bar) 压力								Displacement (cm ³ /rev) 排量
		2.0	4.0	6.0	8.0	10.0	15.0	20.0	25.0	
DK32	I/min	46.00	46.00	45.00	44.00	44.00	43.00	42.00	41.00	32
	NKW	0.54	0.70	0.82	1.12	1.29	1.60	2.10	2.40	
	KW	0.75	1.10	1.10	1.50	1.50	2.20	3.00	4.00	
DK40	I/min	57.00	57.00	56.00	56.00	55.00	53.00	51.00	50.00	40
	NKW	0.60	0.80	1.00	1.20	1.40	1.80	2.40	2.90	
	KW	0.75	1.10	1.50	1.50	2.20	2.20	3.00	4.00	
DK50	I/min	72.00	71.70	71.50	71.00	69.00	67.00	65.00	63.00	50
	NKW	0.70	0.94	1.23	1.47	1.74	2.20	2.80	3.50	
	KW	1.10	1.50	1.50	2.20	2.20	3.00	4.00	5.50	
DK63	I/min	91.50	91.00	90.60	90.00	89.00	86.70	85.70	84.00	63
	NKW	1.05	1.34	1.64	1.93	2.24	2.90	3.80	4.50	
	KW	1.50	2.20	2.20	3.00	3.00	4.00	5.50	5.50	
DK80	I/min	119.0	119.0	119.0	118.0	116.0	110.0	106.0	99.0	80
	NKW	1.20	1.50	1.87	2.30	2.60	3.40	4.30	5.20	
	KW	1.50	2.20	3.00	3.00	4.00	5.50	5.50	7.50	
DK100	I/min	142.00	141.00	138.00	137.00	136.00	132.00	129.00	126.00	100
	NKW	1.20	1.70	2.20	2.70	3.20	4.40	5.70	6.90	
	KW	1.50	2.20	3.00	4.00	4.00	5.50	7.50	11.00	
DK112	I/min	157.00	156.00	154.00	153.00	151.00	150.00	145.00	140.00	112
	NKW	1.40	2.00	2.60	3.10	3.70	5.10	6.50	7.80	
	KW	2.20	3.00	3.00	4.00	5.50	7.50	7.50	11.00	
DK125	I/min	182.00	178.00	174.00	170.00	167.00	160.00	154.00	149.00	125
	NKW	2.40	2.50	2.60	3.20	3.80	5.40	7.40	9.30	
	KW	3.00	3.00	3.00	4.00	5.50	7.50	11.00	11.00	
DK150	I/min	223.00	219.00	215.00	211.00	208.00	199.00	191.00	183.00	150
	NKW	3.30	3.30	3.50	3.80	4.70	6.70	8.90	11.00	
	KW	4.00	4.00	4.00	5.50	5.50	7.50	11.00	15.00	
DK180	I/min	267.00	263.00	259.00	255.00	252.00	243.00	235.00	228.00	180
	NKW	3.90	4.00	4.10	4.70	5.90	8.20	10.60	12.80	
	KW	5.50	5.50	5.50	5.50	7.50	11.00	15.00	15.00	
DK200	I/min	292.00	289.00	286.00	283.00	280.00	273.00	266.00	259.00	200
	NKW	4.40	4.60	4.80	5.30	6.70	9.20	11.70	14.20	
	KW	5.50	5.50	5.50	7.50	7.50	11.00	15.00	18.50	

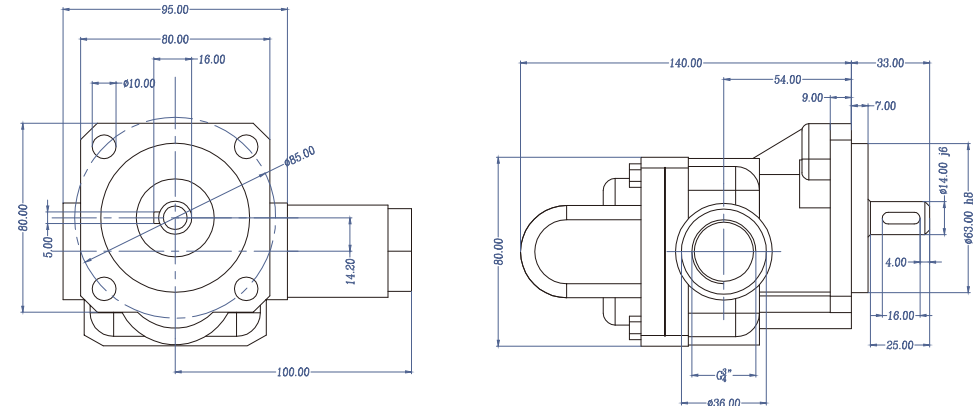
» Installation sizes of the conveying pump 输送泵安装尺寸

DK04~12

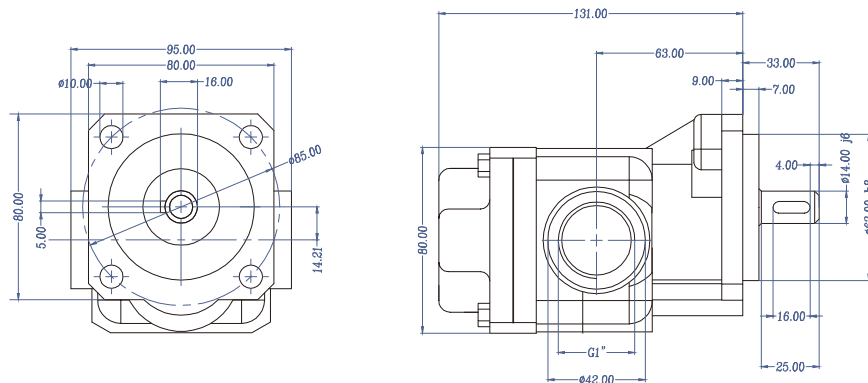


» Installation sizes of the conveying pump 输送泵安装尺寸

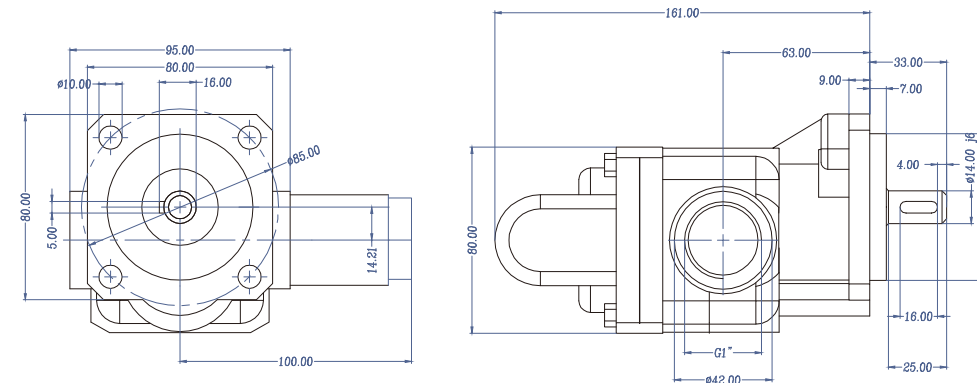
DK04~12-D15 (With relief valve) 带安全阀



DK16~25

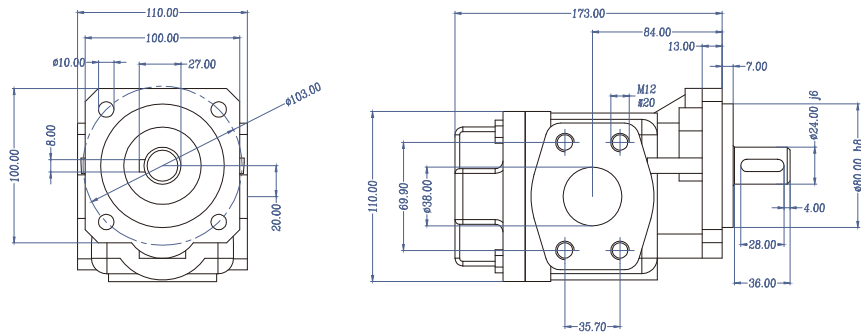


DK16~25-D15 (With relief valve) 带安全阀



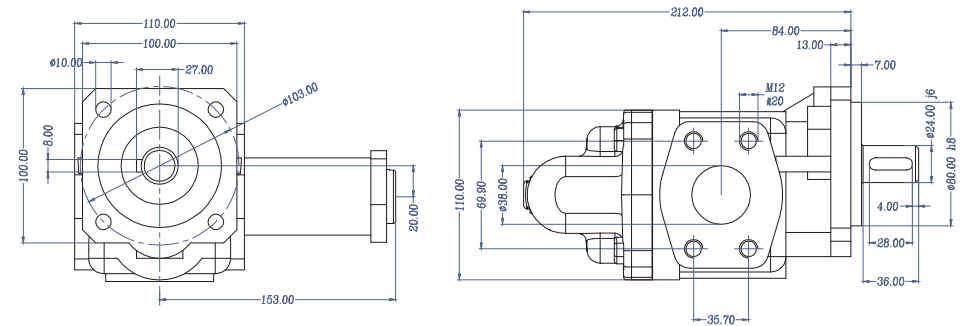
» Installation sizes of the conveying pump 输送泵安装尺寸

DK32~50

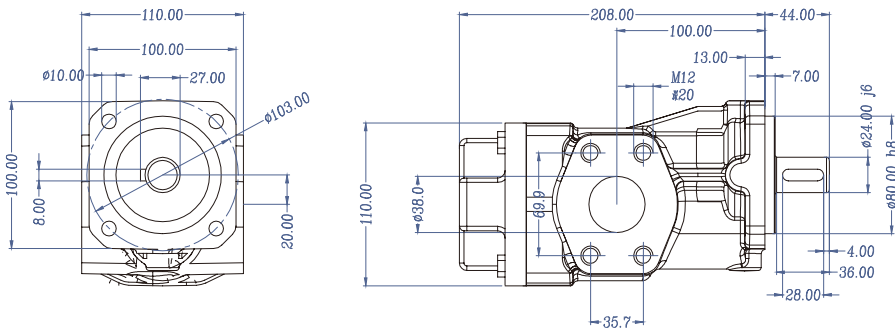


» Installation sizes of the conveying pump 输送泵安装尺寸

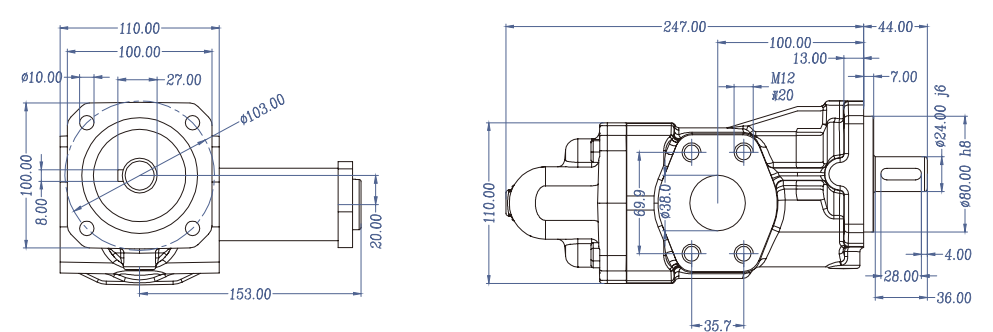
DK32~50-D15 (With relief valve) 带安全阀



DK63~80

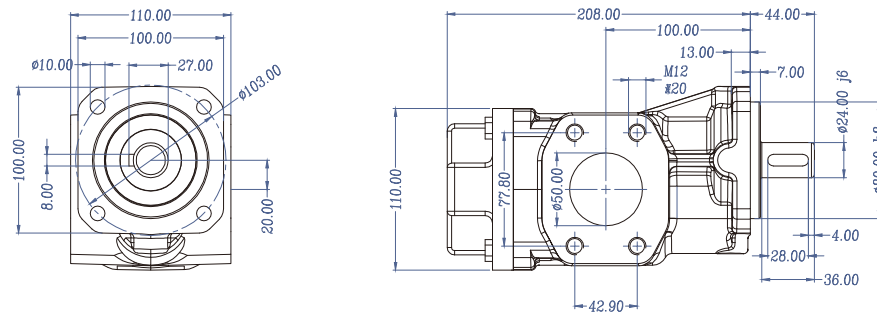


DK63~80-D15 (With relief valve) 带安全阀



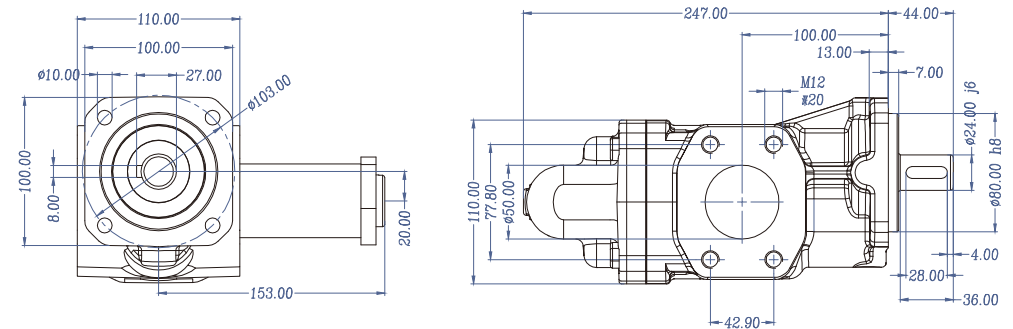
» Installation sizes of the conveying pump 输送泵安装尺寸

DK63~80(SAE2")

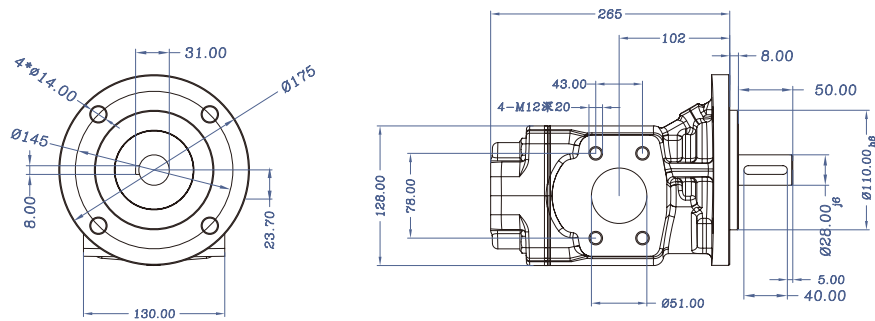


» Installation sizes of the conveying pump 输送泵安装尺寸

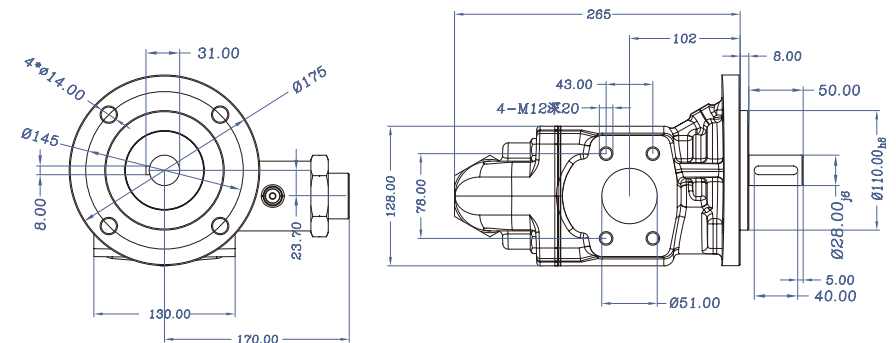
DK63~80(SAE2")-D15 (With relief valve)带安全阀



DK100~112

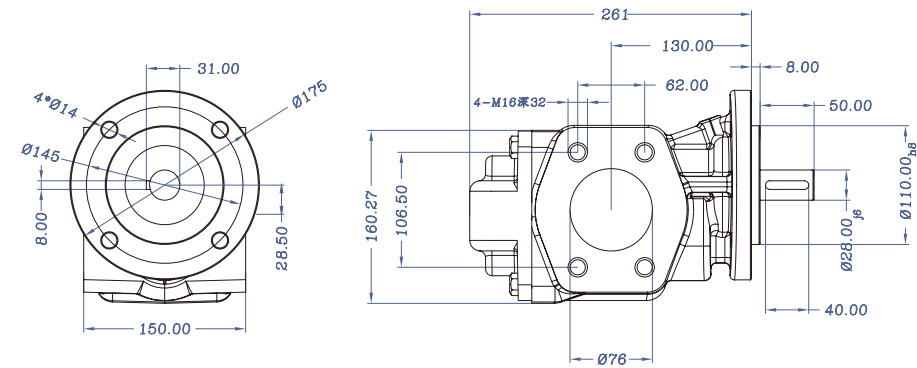


DK100~112 (With relief valve)带安全阀



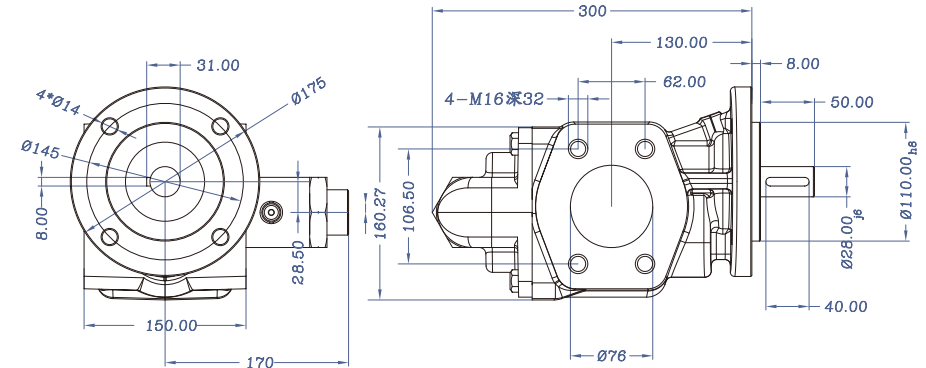
» Installation sizes of the conveying pump 输送泵安装尺寸

DK125~200

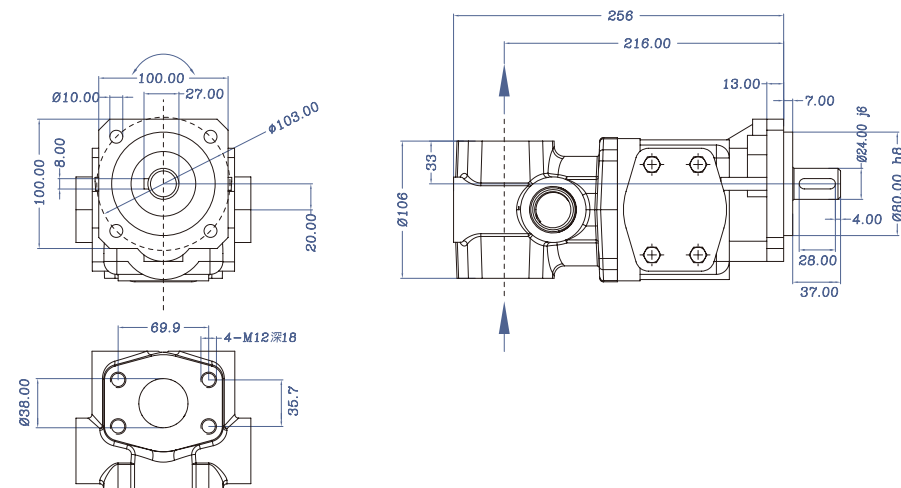


» Installation sizes of the conveying pump 输送泵安装尺寸

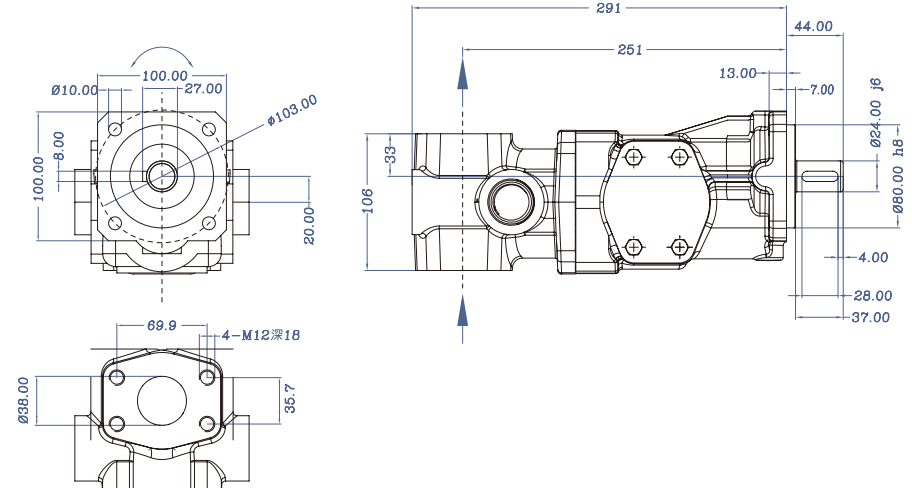
DK125~200 (With relief valve) 带安全阀



DK32~50 (Bidirectional rotation) 双旋向



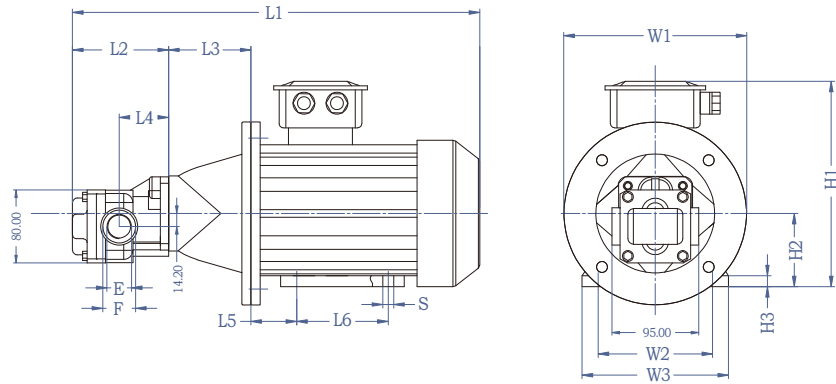
DK63~80 (Bidirectional rotation) 双旋向



» Installation sizes of motor pump set 电机输送泵组安装尺寸

» Installation sizes of motor pump set 电机输送泵组安装尺寸

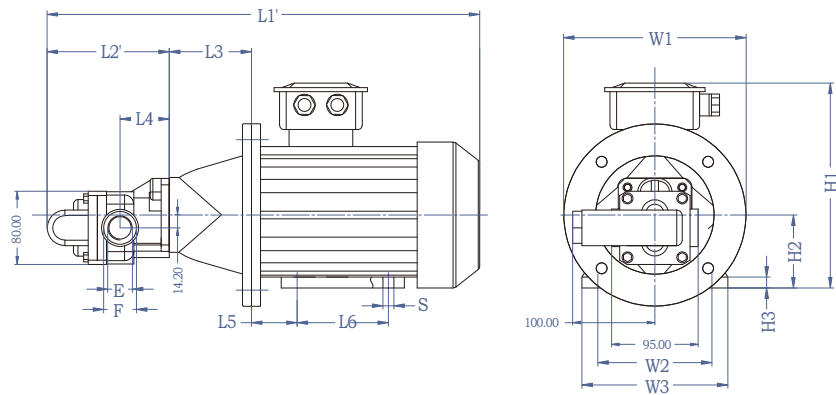
MDK4~25



MDK4~12

Motor base number 电机座号	6P		4P		L1	L1'	L2	L2'	L3	L4	L5	L6	W1	W2	W3	H1	H2	H3	S	E	F
	Power (KW) 功率	Speed (r/min) 转速	Power (KW) 功率	Speed (r/min) 转速																	
71S			0.25	1390	405	436	109	140	80	54	45	90	160	112	140	181	71	9	7	G3/4"	φ36
71	0.25	920	0.37	1380	405	436	109	140	80	54	45	90	160	112	140	181	71	9	7	G3/4"	φ36
80S	0.37	900	0.55	1370	459	490	109	140	100	54	50	100	200	125	160	208	80	12	10	G3/4"	φ36
80	0.55	900	0.75	1420	459	490	109	140	100	54	50	100	200	125	160	208	80	12	10	G3/4"	φ36
90S	0.75	960	1.1	1420	494	525	109	140	100	54	56	100	200	140	175	222	90	13	10	G3/4"	φ36
90L	1.1	950	1.5	1450	520	551	109	140	100	54	56	125	200	140	175	222	90	13	10	G3/4"	φ36

MDK4~25-D15

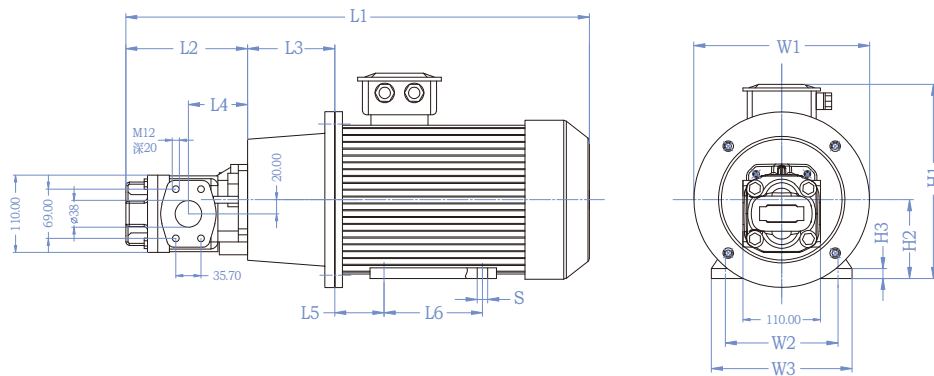


MDK16~25

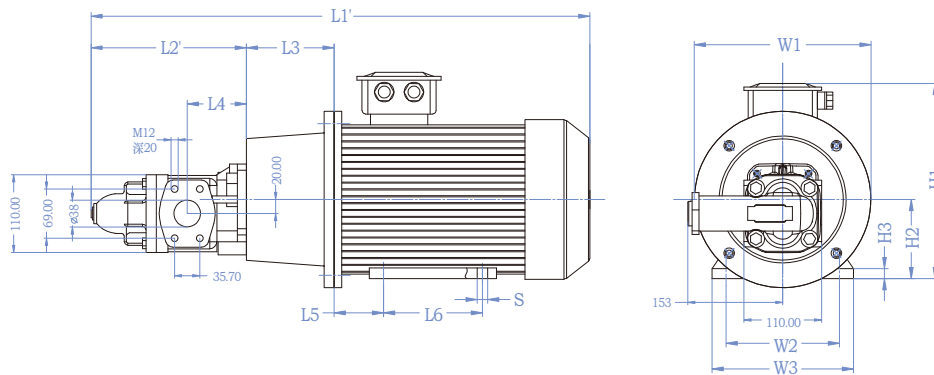
Motor base number 电机座号	6P		4P		L1	L1'	L2	L2'	L3	L4	L5	L6	W1	W2	W3	H1	H2	H3	S	E	F
	Power (KW) 功率	Speed (r/min) 转速	Power (KW) 功率	Speed (r/min) 转速																	
71	0.25	920	0.37	1380	427	458	131	162	80	63	45	90	160	112	140	181	71	9	7	G1"	φ42
80S	0.37	900	0.55	1370	481	512	131	162	100	63	50	100	200	125	160	208	80	12	10	G1"	φ42
80	0.55	900	0.75	1420	481	512	131	162	100	63	50	100	200	125	160	208	80	12	10	G1"	φ42
90S	0.75	960	1.1	1420	516	547	131	162	100	63	56	100	200	140	175	222	90	13	10	G1"	φ42
90L	1.1	950	1.5	1450	543	573	131	162	100	63	56	125	200	140	175	222	90	13	10	G1"	φ42
100L1			2.2	1440	605	636	131	162	124	63	63	140	250	160	205	247	100	12	12	G1"	φ42
100L2	1.5	960	3	1440	605	636	131	162	124	63	63	140	250	160	205	247	100	12	12	G1"	φ42

» Installation sizes of motor pump set 电机输送泵组安装尺寸

MDK32~80



MDK32~80-D15



» Installation sizes of motor pump set 电机输送泵组安装尺寸

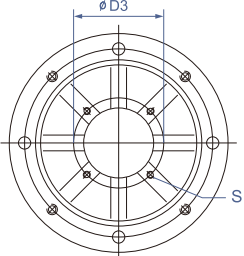
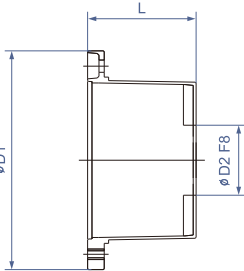
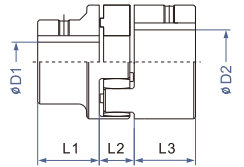
MDK32~50

Motor base number 电机机座号	6P		4P		L1	L1'	L2	L2'	L3	L4	L5	L6	W1	W2	W3	H1	H2	H3	S
	Power (KW) 功率	Speed (r/min) 转速	Power (KW) 功率	Speed (r/min) 转速															
80S	0.37	900	0.55	1370	532	571	172	211	110	84	50	100	200	125	160	208	80	12	10
80	0.55	900	0.75	1420	532	571	172	211	110	84	50	100	200	125	160	208	80	12	10
90S	0.75	960	1.1	1420	567	606	172	211	110	84	56	100	200	140	175	222	90	13	10
90L	1.1	950	1.5	1450	593	632	172	211	110	84	56	125	200	140	175	222	90	13	10
100LS			2.2	1440	646	685	172	211	124	84	63	140	250	160	205	247	100	12	12
100L	1.5	960	3	1440	646	685	172	211	124	84	63	140	250	160	205	247	100	12	12
112M	2.2	960	4	1450	658	697	172	211	124	84	70	140	250	190	222	281	112	13	12
132S	3	960	5.5	1450	698	737	172	211	144	84	89	140	300	216	256	320	132	16.5	12
132M1	4	960	7.5	1460	736	775	172	211	144	84	89	178	300	216	256	320	132	16.5	12
132M2	5.5	960			761	780	172	211	144	84	89	178	300	216	256	320	132	16.5	12
160M	7.5	970	11	1460	865	904	172	211	188	84	108	210	350	254	320	437	160	20	14.5

MDK63~80

Motor base number 电机机座号	6P		4P		L1	L1'	L2	L2'	L3	L4	L5	L6	W1	W2	W3	H1	H2	H3	S
	Power (KW) 功率	Speed (r/min) 转速	Power (KW) 功率	Speed (r/min) 转速															
80S	0.37	900	0.55	1370	568	607	208	247	110	100	50	100	200	125	160	208	80	12	10
80	0.55	900	0.75	1420	568	607	208	247	110	100	50	100	200	125	160	208	80	12	10
90S	0.75	960	1.1	1420	603	642	208	247	110	100	56	100	200	140	175	222	90	13	10
90L	1.1	950	1.5	1450	629	668	208	247	110	100	56	125	200	140	175	222	90	13	10
100LS			2.2	1440	682	721	208	247	124	100	63	140	250	160	205	247	100	12	12
100L	1.5	960	3	1440	682	721	208	247	124	100	63	140	250	160	205	247	100	12	12
112M	2.2	960	4	1450	694	733	208	247	124	100	70	140	250	190	222	281	112	13	12
132S	3	960	5.5	1450	734	773	208	247	144	100	89	140	300	216	256	320	132	16.5	12
132M1	4	960	7.5	1460	772	811	208	247	144	100	89	178	300	216	256	320	132	16.5	12
132M2	5.5	960			797	836	208	247	144	100	89	178	300	216	256	320	132	16.5	12
160M	7.5	970	11	1460	901	940	208	247	188	100	108	210	350	254	320	437	160	20	14.5

» Bell-shaped cover coupling configuration 钟型罩联轴器配置

  Bell-shaped cover 钟型罩	Pump type 油泵型号	Motor size 电机尺寸	Bell-shaped cover type 钟型罩型号	Bell-shaped cover size 钟型罩尺寸					Coupling type 联轴器型号	Coupling size 联轴器尺寸				
				D1	L	D2	D3	S		d1	d2	L1	L2	L3
				 Coupling 联轴器										
DK4-DK25	71S		DGV160/80- $\phi 63$ - $\phi 85$ *M8*4	160	80	63	85	M8	AG19/24.14H7-14H7	14	14	25	16	25
	71													
	80S		DGV200/100- $\phi 63$ - $\phi 85$ *M8*4	200	100	63	85	M8	AG19/24.14H7-19H7	14	19	25	16	25
	80													
	90S								AG19/24.14H7-24H7	14	24	25	16	25
	90L													
	100LS		DGV250/124- $\phi 63$ - $\phi 85$ *M8*4	250	124	63	85	M8	AG24/32.14H7-28H7	14	28	30	18	30
	100L													
112M														
DK32-DK80	80S		DGV200/110- $\phi 80$ - $\phi 103$ *M8*4	200	110	80	103	M8	AG19/24.24H7-19H7	24	19	25	16	25
	80													
	90S								AG19/24.24H7-24H7	24	24	25	16	25
	90L													
	100LS		DGV250/124- $\phi 80$ - $\phi 103$ *M8*4	250	124	80	103	M8	AG24/32.24H7-28H7	24	28	30	18	30
	100L													
	112M													
	132S		DGV300/144- $\phi 80$ - $\phi 103$ *M8*4	300	144	80	103	M8	AG28/38.24H7-38H7	24	38	35	20	35
132M														
160M		DGV350/188- $\phi 80$ - $\phi 103$ *M8*4	350	188	80	103	M8	AG38/45.24H7-42H7	24	42	45	24	45	
160L														
DK100-DK200	100		DGV250/148- $\phi 110$ - $\phi 145$ *M12*4	250	148	110	145	M12	AG24/32.28H7-28H7(L=50)	28	28	30	18	50
	112													
	132S		DGV300/168- $\phi 110$ - $\phi 145$ *M12*4	300	168	110	145	M12	AG28/38.28H7-38H7(L=60)	28	38	35	20	60
	132M													
	160M								AG38/45.28H7-42H7	28	42	45	24	45
	160L		DGV350/204- $\phi 110$ - $\phi 145$ *M12*4	350	204	110	145	M12						
	180M								AG42/55.28H7-48H7	28	48	50	26	50
	180L													