

# DW oil & water cooler of brass-soldered plate model

## DW钎焊板式油&水冷却器



# ADV

## Oil & water cooler of brass-soldered plate model 钎焊板式油&水冷却器

### Marking methods of product models 产品型号表示方法

**DW-05-A-50-3.0-H**



### Passageways of heat exchanger

DW heat exchangers can provide two kinds of plates and three forms of passageways

**H-model plates:** Big intersection angle increases resistance of fluid thereby make the plates get higher efficiency of heat-exchanging.

**L-model plates:** Small intersection angle decrease pressure drop and resistance of fluid, thereby make the plates inefficient in heat exchanging.

**H-passageway:** Made up of two H-model plates, it has high heat-exchanging quotiety and low pressure drop.

**L-passageway:** Made up of two L-model plates, it has low heat-exchanging quotiety and low pressure drop.

**M-passageway:** Made up of a H-model plate and a L-model plate, it has medium heat-exchanging quotiety and medium pressure drop.

### 换热器的通道

DW型换热器可提供两种不同的板片和三种形式的通道。

**H型板片:** 大夹角加大流体的阻力从而获得更高的换热效率。

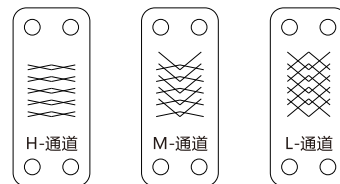
**L型板片:** 小夹角减小压降并减小流体阻力，换热效率低。

**H通道:** 由两片H型板片组成，高换热系数，低压降。

**L通道:** 由两片L型板片组成，低换热系数，低压降。

**M通道:** 由一片H型板片和一片L型板片组成，中等换热系数和中等压降。

Between plate plates  
板片通道



## Oil & water cooler of brass-soldered plate model 钎焊板式油&水冷却器

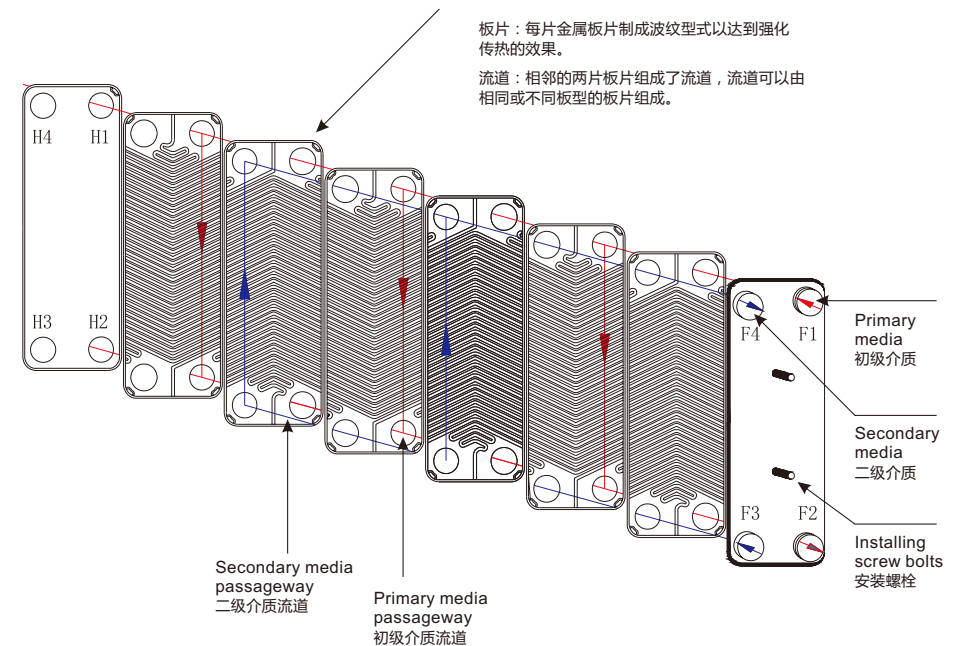
### Product structure 产品结构

**Plate:** Every plate is made cockles-shaped to strengthen its effect of heat conduction .

**Passageway:** Two adjacent plates constitute the passageway, which can be made by two plates of the same or different models.

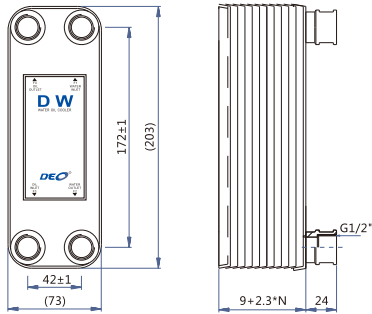
板片：每片金属板片制成波纹型式以达到强化传热的效果。

流道：相邻的两片板片组成了流道，流道可以由相同或不同板型的板片组成。

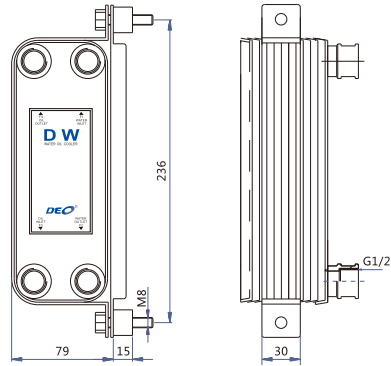


## » DW-01

### Installation pattern A 安装方式



### Installation pattern B 安装方式

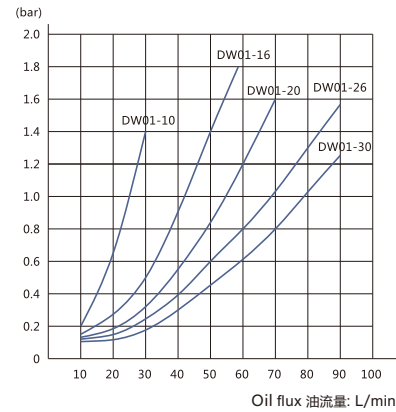
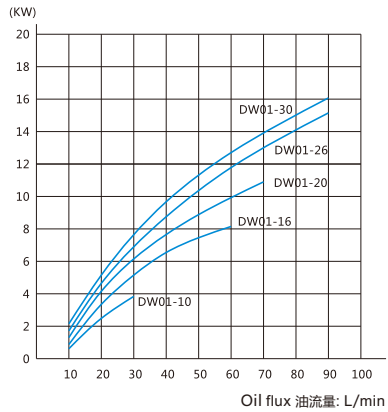


#### Input parameters of performance curve

Quality of oil : ISO Vg46 Oil / Water : 2/1  
 T<sub>in</sub> (oil): 60°C T<sub>in</sub> (water): 20°C

#### 性能曲线输入参数

油品 : ISO Vg46 油水流量比例 : 2/1  
 进油温度 : 60°C 进水温度 : 20°C



#### Technical Parameters 技术参数

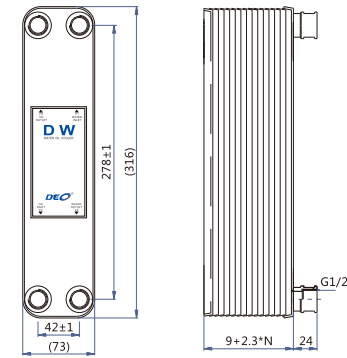
Designed pressure 设计压力 [Mpa]	Tested pressure 试验压力 [Mpa]	Designed temperature 设计温度 [°C]	Cubage 容积 [L]	Heat-exchanging acreage 换热面积 [m <sup>2</sup> ]	Weight 重量 [kg]	Plate material 板片材料
3.0	4.5	-196~+200°C	0.02*N	0.013*N	0.4+0.05*N	316L

- N represents layers of plates
- The materials of DW-01 standard plates include AISI 316L stainless steel. If you need plates made of other materials such as ALSI 304L and SMO254, please contact NINGBO DEO MACHINERY CO.LTD.

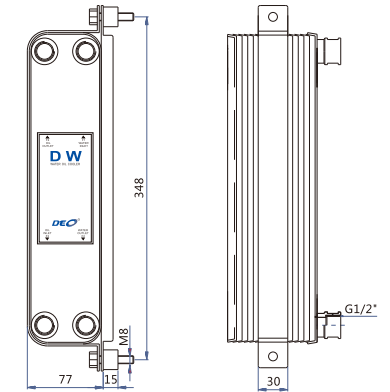
- N代表板片层数
- DW-01型标准板片材料是AISI 316L不锈钢, 如需 AISI 304L、SMO254等其他材料, 请与迪奥公司联系

## » DW-02

### Installation pattern A 安装方式



### Installation pattern B 安装方式

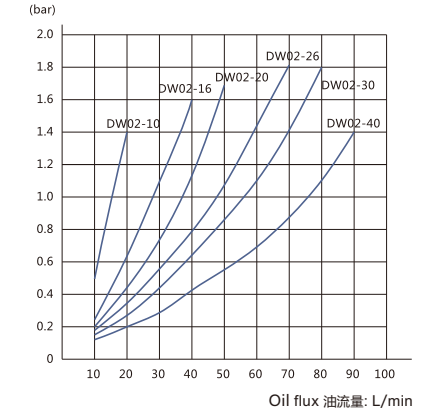
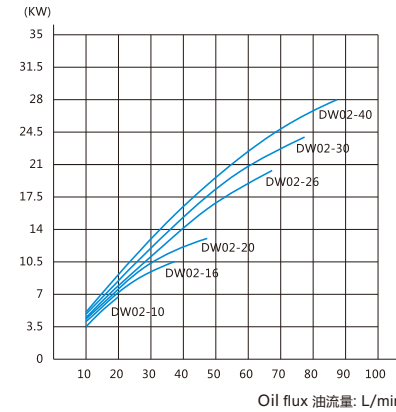


#### Input parameters of performance curve

Quality of oil : ISO Vg46 Oil / Water : 2/1  
 T<sub>in</sub> (oil): 60°C T<sub>in</sub> (water): 20°C

#### 性能曲线输入参数

油品 : ISO Vg46 油水流量比例 : 2/1  
 进油温度 : 60°C 进水温度 : 20°C



#### Technical Parameters 技术参数

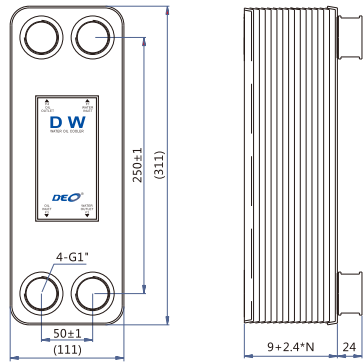
Designed pressure 设计压力 [Mpa]	Tested pressure 试验压力 [Mpa]	Designed temperature 设计温度 [°C]	Cubage 容积 [L]	Heat-exchanging acreage 换热面积 [m <sup>2</sup> ]	Weight 重量 [kg]	Plate material 板片材料
3.0	4.5	-196~+200°C	0.04*N	0.021*N	0.6+0.07*N	316L

- N represents layers of plates
- The materials of DW-02 standard plates include AISI 316L stainless steel. If you need plates made of other materials such as ALSI 304L and SMO254, please contact NINGBO DEO MACHINERY CO.LTD.

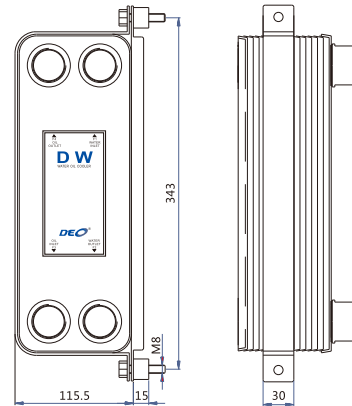
- N代表板片层数
- DW-02型标准板片材料是AISI 316L不锈钢, 如需 AISI 304L、SMO254等其他材料, 请与迪奥公司联系

## DW-03

### Installation pattern A 安装方式



### Installation pattern B 安装方式

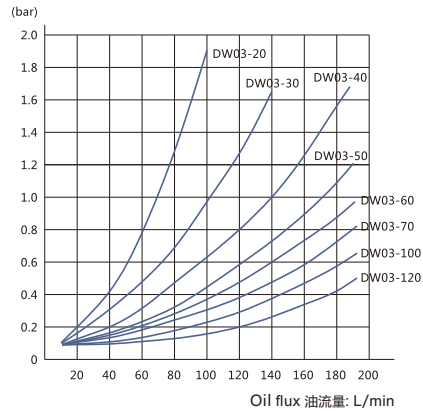
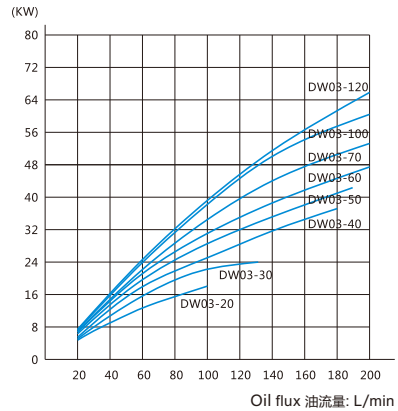


#### Input parameters of performance curve

Quality of oil : ISO Vg46 Oil / Water : 2/1  
 $T_{in} (oil)$  : 60°C  $T_{in} (water)$  : 20°C

#### 性能曲线输入参数

油品 : ISO Vg46 油/水流量比例 : 2/1  
 进油温度 : 60°C 进水温度 : 20°C



#### Technical Parameters 技术参数

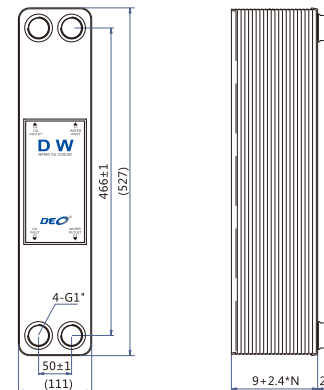
Designed pressure 设计压力 [Mpa]	Tested pressure 试验压力 [Mpa]	Designed temperature 设计温度 [°C]	Cubage 容积 [L]	Heat-exchanging area 换热面积 [m <sup>2</sup> ]	Weight 重量 [kg]	Plate material 板片材料
3.0	4.5	-196~+200°C	0.05*N	0.028*N	1.2+0.13*N	316L

- N represents layers of plates
- The materials of DW-03 standard plates include AISI 316L stainless steel.
- If you need plates made of other materials such as AISI 304L and SMO254, please contact NINGBO DEO MACHINERY CO.LTD.

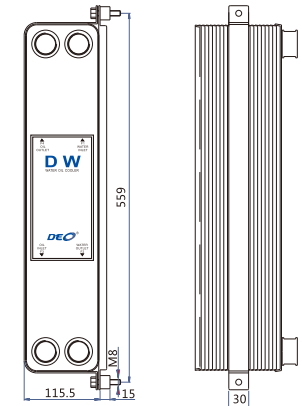
- N代表板片层数
- DW-03型标准板片材料是AISI 316L不锈钢, 如需 AISI 304L、SMO254等其他材料, 请与迪奥公司联系

## DW-04

### Installation pattern A 安装方式



### Installation pattern B 安装方式

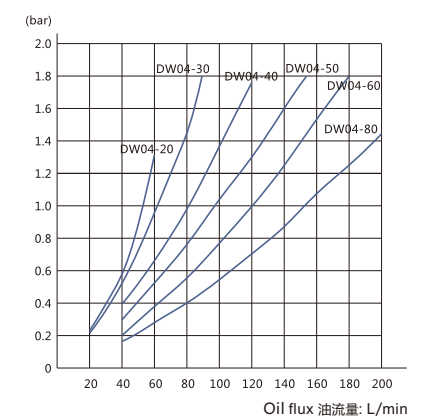
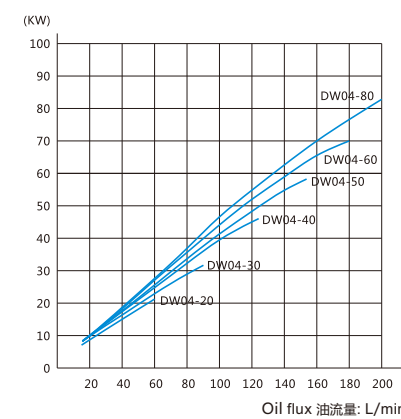


#### Input parameters of performance curve

Quality of oil : ISO Vg46 Oil / Water : 2/1  
 $T_{in} (oil)$  : 60°C  $T_{in} (water)$  : 20°C

#### 性能曲线输入参数

油品 : ISO Vg46 油/水流量比例 : 2/1  
 进油温度 : 60°C 进水温度 : 20°C



#### Technical Parameters 技术参数

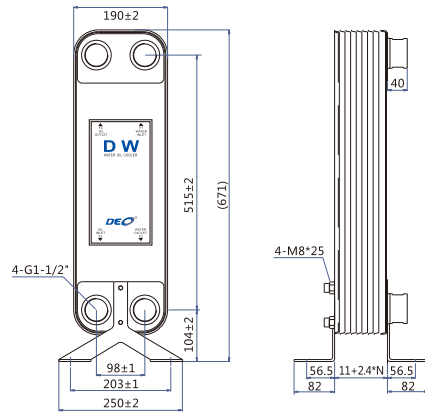
Designed pressure 设计压力 [Mpa]	Tested pressure 试验压力 [Mpa]	Designed temperature 设计温度 [°C]	Cubage 容积 [L]	Heat-exchanging area 换热面积 [m <sup>2</sup> ]	Weight 重量 [kg]	Plate material 板片材料
3.0	4.5	-196~+200°C	0.094*N	0.052*N	1.8+0.23*N	316L

- N represents layers of plates
- The materials of DW-04 standard plates include AISI 316L stainless steel.
- If you need plates made of other materials such as AISI 304L and SMO254, please contact NINGBO DEO MACHINERY CO.LTD.

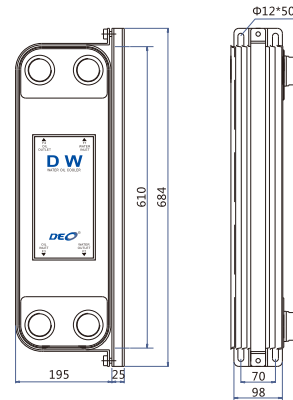
- N代表板片层数
- DW-04型标准板片材料是AISI 316L不锈钢, 如需 AISI 304L、SMO254等其他材料, 请与迪奥公司联系

## » DW-05

### Installation pattern A 安装方式



### Installation pattern B 安装方式

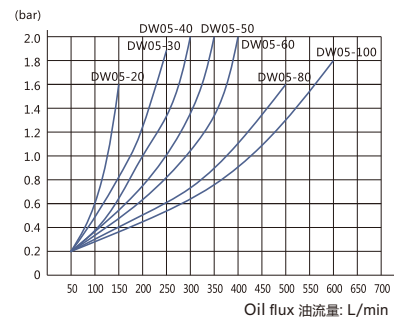
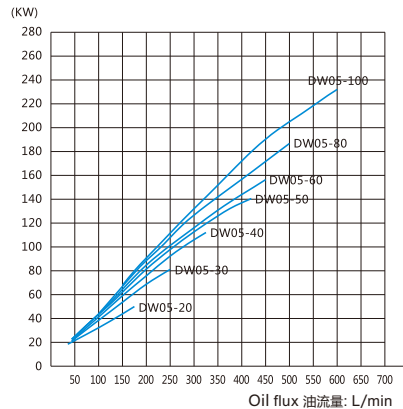


#### Input parameters of performance curve

Quality of oil : ISO Vg46 Oil / Water : 2/1  
 $T_{in} (oil) : 60^{\circ}C$   $T_{in} (water) : 20^{\circ}C$

#### 性能曲线输入参数

油品 : ISO Vg46 油水流量比例 : 2/1  
 进油温度 : 60°C 进水温度 : 20°C



#### Technical Parameters 技术参数

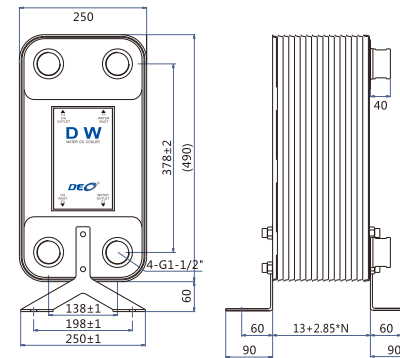
Designed pressure 设计压力 [Mpa]	Tested pressure 试验压力 [Mpa]	Designed temperature 设计温度 [°C]	Cubage 容积 [L]	Heat-exchanging area 换热面积 [m <sup>2</sup> ]	Weight 重量 [kg]	Plate material 板片材料
3.0	4.5	-196~+200°C	0.21*N	0.095*N	4.6+0.44*N	316L

- N represents layers of plates
- The materials of DW-05 standard plates include AISI 316L stainless steel. If you need plates made of other materials such as AISI 304L and SMO254, please contact NINGBO DEO MACHINERY CO.LTD.
- Over 100 plates of DW-05B model will be installed with two sets of brackets.

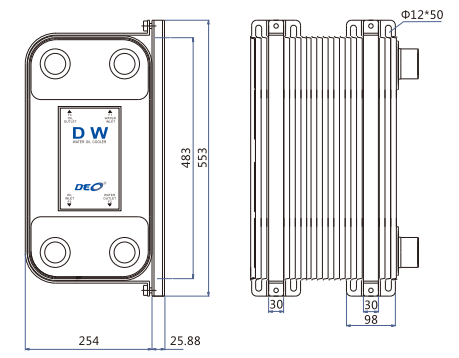
- N代表板片层数
- DW-05型标准板片材料是AISI 316L不锈钢, 如需 AISI 304L, SMO254等其他材料, 请与迪奥公司联系
- DW-05B型100片以上采用两套支架安装

## » DW-06

### Installation pattern A 安装方式



### Installation pattern B 安装方式

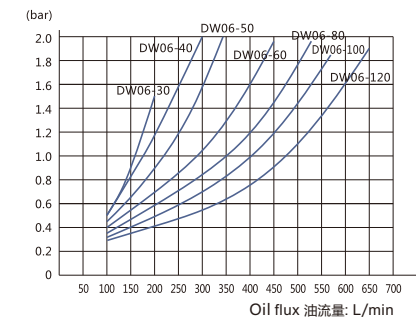
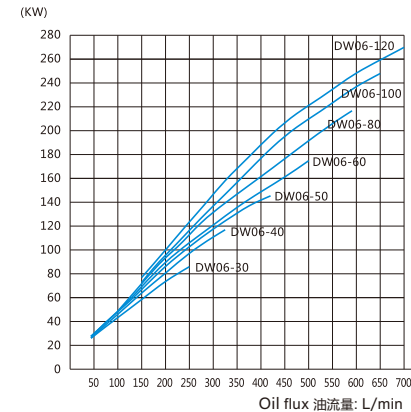


#### Input parameters of performance curve

Quality of oil : ISO Vg46 Oil / Water : 2/1  
 $T_{in} (oil) : 60^{\circ}C$   $T_{in} (water) : 20^{\circ}C$

#### 性能曲线输入参数

油品 : ISO Vg46 油水流量比例 : 2/1  
 进油温度 : 60°C 进水温度 : 20°C



#### Technical Parameters 技术参数

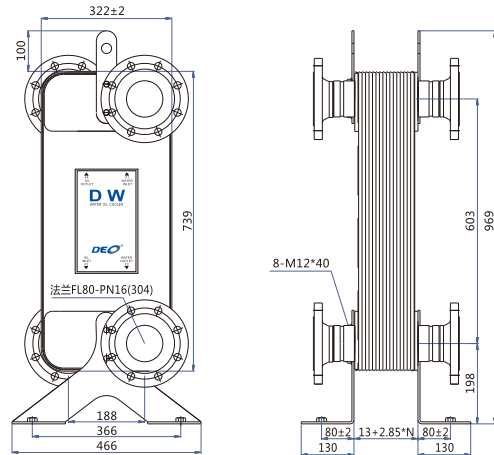
Designed pressure 设计压力 [Mpa]	Tested pressure 试验压力 [Mpa]	Designed temperature 设计温度 [°C]	Cubage 容积 [L]	Heat-exchanging area 换热面积 [m <sup>2</sup> ]	Weight 重量 [kg]	Plate material 板片材料
3.0	4.5	-196~+200°C	0.25*N	0.136*N	6.5+0.42*N	316L

- N represents layers of plates
- The materials of DW-06 standard plates include AISI 316L stainless steel. If you need plates made of other materials such as AISI 304L and SMO254, please contact NINGBO DEO MACHINERY CO.LTD.
- Over 100 plates of DW-06B model will be installed with two sets of brackets.

- N代表板片层数
- DW-06型标准板片材料是AISI 316L不锈钢, 如需 AISI 304L, SMO254等其他材料, 请与迪奥公司联系
- DW-06B型100片以上采用两套支架安装

## » DW-07

### Installation pattern A 安装方式

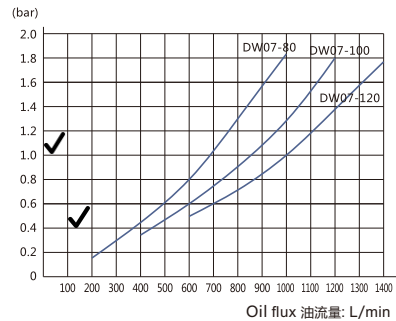
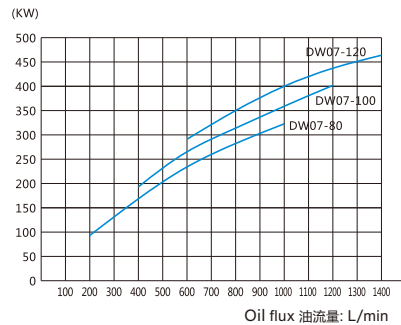


#### Input parameters of performance curve

Quality of oil : ISO Vg46 Oil / Water : 2/1  
 T<sub>in</sub> (oil): 60°C T<sub>in</sub> (water): 20°C

#### 性能曲线输入参数

油品 : ISO Vg46 油/水流量比例 : 2/1  
 进油温度 : 60°C 进水温度 : 20°C



#### Technical Parameters 技术参数

Designed pressure 设计压力 [Mpa]	Tested pressure 试验压力 [Mpa]	Designed temperature 设计温度 [°C]	Cubage 容积 [L]	Heat-exchanging acreage 换热面积 [m <sup>2</sup> ]	Weight 重量 [kg]	Plate material 板片材料
2.5	3.7	-196~+200°C	0.4*N	0.2*N	13+0.82*N	316L

• N represents layers of plates

• The materials of DW-07 standard plates include AISI 316L stainless steel.  
 If you need plates made of other materials such as ALSI 304L and SMO254,  
 please contact NINGBO DEO MACHINERY CO.LTD.

• N代表板片层数

• DW-07型标准板片材料是AISI 316L不锈钢, 如需AISI 304L,  
 SMO254等其他材料, 请与迪奥公司联系

## Contact Us For More Information:

Changzhou ADV Heat Exchanger Co., Ltd

No.29 Xuema Road, Xueyan, Wujin District,  
 213169 Changzhou, Jiangsu Tel: +86-519-85181789

Cell: (+86)135 8426 7707

Email: Sales@advcooler.com