

ADV



ONE STATION

COOLING SERVICE

Standard Cooling Package Series

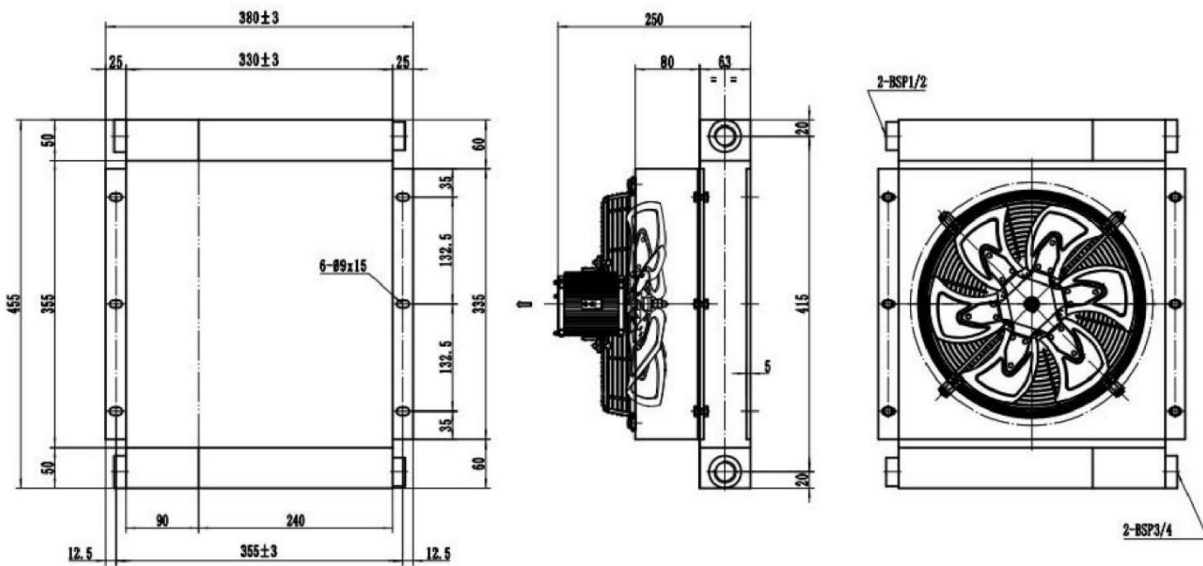


Standard Cooling Solution For Compressor System

The CMP Series is a complete aftercooler package designed to work on most models of rotary and piston air compressors.

To Selected the appropriate model, simply determine compressor horsepower, and select the model from the chart

(All dimensions and technical characteristics can be designed according to your requirement, please contact us if you need customization)



Material Description

Main Cooler Body	Aluminum
Housing	Powder painted steel
Fan Guard	Zinc Plated Steel
Fan Blade	Polypropylene

Working Situation

Maximum Working Pressure	250 PSI
Maximum Working Temperature	110°C



Technic Specification

4/5.5/7.5 KW Series

SPECIFICATION		OIL/Air after cooler
Item number		ADV-CMP001
Technical data(Standard values)		
Compressor driving power	KW/HP	4/5.5/7.5
Oil cooling power	KW	3.59/4.30/6.00
Air cooling power	KW	1.03/1.38/1.86
Oil flow	Lit/min	12/15/20
Air flow	Kg/hr	40/53/80
Cooling Air flow	Kg/hr	500/730/1,000
Approximate cooler dimensions		
A	mm/inch	244
B	mm/inch	89
A+B	mm/inch	333
C	mm/inch	350
D	mm/inch	450
E	mm/inch	63
Max working pressure	bar(g)/psig	15/218
Test Pressure	bar(g)/psig	20/290
Air cooler connecting slot[G"]	inch	3/4(I+J)
Oil cooler connecting slot[G"]	inch	1/2(K+L)
Cooler weight approx.	Kg/lb	8
Fan speed	rpm	
Fan diameter	mm/inch	
Oil inlet temperature	°C	Max 110
Air inlet temperature	°C	Max 110



11~15 KW Series

SPECIFICATION		OIL/Air after cooler
Item number		ADV-CMP002
Technical data(Standard		values)
Compressor driving power	KW/HP	11.0/15.0
Oil cooling power	KW	8.97/11.78
Air cooling power	KW	2.90/3.89
Oil flow	Lit/min	23/28
Air flow	Kg/hr	120/160
Cooling Air flow	Kg/hr	1,700/2,600
Approximate cooler dimensions		
A	mm/inch	273
B	mm/inch	106
A+B	mm/inch	379
C	mm/inch	400
D	mm/inch	500
E	mm/inch	63
Max working pressure	bar(g)/psig	15/218
Test Pressure	bar(g)/psig	20/290
Air cooler connecting slot[G"]	inch	3/4(I+J)
Oil cooler connecting slot[G"]	inch	1/2(K+L)
Cooler weight approx.	Kg/lb	9.8
Fan speed	rpm	
Fan diameter	mm/inch	
Oil inlet temperature	°C	Max 110
Air inlet temperature	°C	Max 110



18~22 KW Series

SPECIFICATION		OIL/Air after cooler
Item number		ADV-CMP003
Technical data(Standard values)		
Compressor driving power	KW/HP	18/22
Oil cooling power	KW	15.33/18.10
Air cooling power	KW	3.75/4.44
Oil flow	Lit/min	33/40
Air flow	Kg/hr	200/240
Cooling Air flow	Kg/hr	2,700/3,400
Approximate cooler dimensions		
A	mm/inch	330
B	mm/inch	109
A+B	mm/inch	439
C	mm/inch	550
D	mm/inch	650
E	mm/inch	63
Max working pressure	bar(g)/psig	15/218
Test Pressure	bar(g)/psig	20/290
Air cooler connecting slot[G"]	inch	1(I+J)
Oil cooler connecting slot[G"]	inch	1/2(K+L)
Cooler weight approx.	Kg/lb	14.8
Fan speed	rpm	
Fan diameter	mm/inch	
Oil inlet temperature	°C	Max 110
Air inlet temperature	°C	Max 110



30~37 KW Series

SPECIFICATION		OIL/Air after cooler
Item number		ADV-CMP004
Technical data(Standard values)		
Compressor driving power	KW/HP	30/37
Oil cooling power	KW	24.70/30.00
Air cooling power	KW	5.94/7.58
Oil flow	Lit/min	45/43
Air flow	Kg/hr	330/370
Cooling Air flow	Kg/hr	4,800/7,500
Approximate cooler dimensions		
A	mm/inch	477
B	mm/inch	152
A+B	mm/inch	629
C	mm/inch	550
D	mm/inch	650
E	mm/inch	63
Max working pressure	bar(g)/psig	15/218
Test Pressure	bar(g)/psig	20/290
Air cooler connecting slot[G"]	inch	1(I+J)
Oil cooler connecting slot[G"]	inch	3/4(K+L)
Cooler weight approx.	Kg/lb	20.5
Fan speed	rpm	
Fan diameter	mm/inch	
Oil inlet temperature	°C	Max 110
Air inlet temperature	°C	Max 110



45-55 KW Series

SPECIFICATION		OIL/Air after cooler
Item number		ADV-CMP005
Technical data(Standard values)		
Compressor driving power	KW/HP	45/55
Oil cooling power	KW	37.11/45.56
Air cooling power	KW	10.00/12.49
Oil flow	Lit/min	60/67
Air flow	Kg/hr	520/610
Cooling Air flow	Kg/hr	5,800/8,000
Approximate cooler dimensions		
A	mm/inch	555
B	mm/inch	182
A+B	mm/inch	737
C	mm/inch	700
D	mm/inch	840
E	mm/inch	94
Max working pressure	bar(g)/psig	15/218
Test Pressure	bar(g)/psig	20/290
Air cooler connecting slot[G"]	inch	1-1/2(I+M)
Oil cooler connecting slot[G"]	inch	1(N+O)
Cooler weight approx.	Kg/lb	41
Fan speed	rpm	
Fan diameter	mm/inch	
Oil inlet temperature	°C	Max 110
Air inlet temperature	°C	Max 110



75 KW Series

SPECIFICATION		OIL/Air after cooler
Item number		ADV-CMP006
Technical data(Standard values)		
Compressor driving power	KW/HP	75
Oil cooling power	KW	61.82
Air cooling power	KW	17
Oil flow	Lit/min	75
Air flow	Kg/hr	860
Cooling Air flow	Kg/hr	11,500
Approximate cooler dimensions		
A	mm/inch	658
B	mm/inch	204
A+B	mm/inch	862
C	mm/inch	800
D	mm/inch	940
E	mm/inch	94
Max working pressure	bar(g)/psig	15/218
Test Pressure	bar(g)/psig	20/290
Air cooler connecting slot[G"]	inch	1-1/2(M+P)
Oil cooler connecting slot[G"]	inch	1-1/4(N+O)
Cooler weight approx.	Kg/lb	54.5
Fan speed	rpm	
Fan diameter	mm/inch	
Oil inlet temperature	°C	Max 110
Air inlet temperature	°C	Max 110



90-110 KW Series

Design 1:ADV-CMP007-01

SPECIFICATION		OIL/Air after cooler
Item number		ADV-CMP007-01
Technical data(Standard values)		
Compressor driving power	KW/HP	90/110
Oil cooling power	KW	93
Air cooling power	KW	17
Oil flow	Lit/min	125
Air flow	Kg/hr	1090
Cooling Air flow	Kg/hr	14,500
Approximate cooler dimensions		
A	mm/inch	764
B	mm/inch	255
A+B	mm/inch	1019
C	mm/inch	800
D	mm/inch	940
E	mm/inch	140
Max working pressure	bar(g)/psig	15/218
Test Pressure	bar(g)/psig	20/290
Air cooler connecting slot[G"]	inch	2(M+P)
Oil cooler connecting slot[G"]	inch	1-1/4(N+O)
Cooler weight approx.	Kg/lb	97
Fan speed	rpm	
Fan diameter	mm/inch	
Oil inlet temperature	°C	Max 110
Air inlet temperature	°C	Max 110



90-110 KW Series

Design 2: ADV-CMP007-02

SPECIFICATION		OIL/Air after cooler
Item number		ADV-CMP007-02
Technical data(Standard values)		
Compressor driving power	KW/HP	90/110
Oil cooling power	KW	93
Air cooling power	KW	17
Oil flow	Lit/min	125
Air flow	Kg/hr	1090
Cooling Air flow	Kg/hr	14,500
Approximate cooler dimensions		
A	mm/inch	650
B	mm/inch	300
A+B	mm/inch	950
C	mm/inch	850
D	mm/inch	990
E	mm/inch	113
Max working pressure	bar(g)/psig	15/218
Test Pressure	bar(g)/psig	20/290
Air cooler connecting slot[G"]	inch	2(M+P)
Oil cooler connecting slot[G"]	inch	1-1/4(N+O)
Cooler weight approx.	Kg/lb	80
Fan speed	rpm	
Fan diameter	mm/inch	
Oil inlet temperature	°C	Max 110
Air inlet temperature	°C	Max 110



132-180 KW Series

SPECIFICATION		OIL/Air after cooler
Item number		ADV-CMP008
Technical data(Standard values)		
Compressor driving power	KW/HP	132/180
Oil cooling power	KW	122
Air cooling power	KW	31
Oil flow	Lit/min	120
Air flow	Kg/hr	1380
Cooling Air flow	Kg/hr	18,000
Approximate cooler dimensions		
A	mm/inch	840
B	mm/inch	350
A+B	mm/inch	1190
C	mm/inch	1110
D	mm/inch	1270
E	mm/inch	95
Max working pressure	bar(g)/psig	15/218
Test Pressure	bar(g)/psig	20/290
Air cooler connecting slot[G"]	inch	2(M+P)
Oil cooler connecting slot[G"]	inch	2-1/2(N+O)
Cooler weight approx.	Kg/lb	102.5
Fan speed	rpm	
Fan diameter	mm/inch	
Oil inlet temperature	°C	Max 120
Air inlet temperature	°C	Max 120



160 - 220 KW Series

SPECIFICATION		OIL/Air after cooler
Item number		ADV-CMP009
Technical data(Standard values)		
Compressor driving power	KW/HP	160/220
Oil cooling power	KW	122
Air cooling power	KW	37
Oil flow	Lit/min	120
Air flow	Kg/hr	2100
Cooling Air flow	Kg/hr	18,000
Approximate cooler dimensions		
A	mm/inch	840
B	mm/inch	382
A+B	mm/inch	1222
C	mm/inch	1120
D	mm/inch	1270
E	mm/inch	95
Max working pressure	bar(g)/psig	15/218
Test Pressure	bar(g)/psig	20/290
Air cooler connecting slot[G"]	inch	2(M+P)
Oil cooler connecting slot[G"]	inch	1-1/2(N+O)
Cooler weight approx.	Kg/lb	108.5
Fan speed	rpm	
Fan diameter	mm/inch	
Oil inlet temperature	°C	Max 120
Air inlet temperature	°C	Max 120



200 - 271 KW Series

SPECIFICATION		OIL/Air after cooler
Item number		ADV-CMP010
Technical data(Standard values)		
Compressor driving power	KW/HP	200/271
Oil cooling power	KW	160
Air cooling power	KW	37
Oil flow	Lit/min	160
Air flow	Kg/hr	2100
Cooling Air flow	Kg/hr	21,000
Approximate cooler dimensions		
A	mm/inch	840
B	mm/inch	382
A+B	mm/inch	1222
C	mm/inch	1110
D	mm/inch	1270
E	mm/inch	110
Max working pressure	bar(g)/psig	15/218
Test Pressure	bar(g)/psig	20/290
Air cooler connecting slot[G"]	inch	2(M+P)
Oil cooler connecting slot[G"]	inch	2-1/2(N+O)
Cooler weight approx.	Kg/lb	120
Fan speed	rpm	
Fan diameter	mm/inch	
Oil inlet temperature	°C	Max 120
Air inlet temperature	°C	Max 120